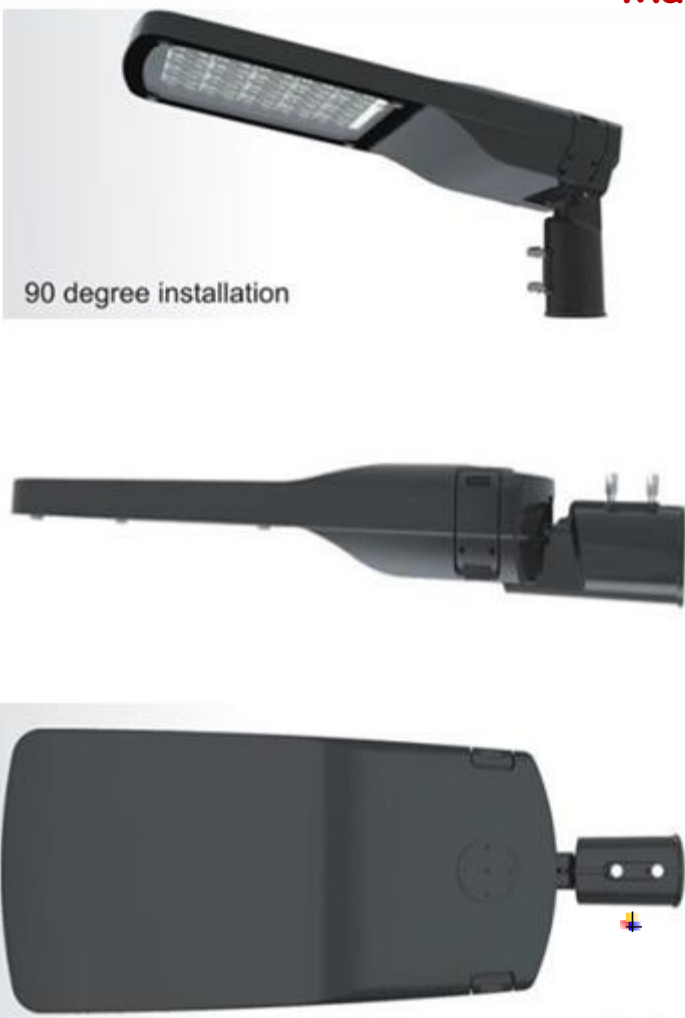


Elettronica Tirrito srl



STREET LIGHT GIOVE

Main Description



- ✚ **Application Area** Street Lighting ;
- ✚ **Optic Group** PCB multiple Ledil 12 LED CREE XP-G3 1.6mm RoHs compliant; Fitted with lens LEDIL or similar, Silicone cable 1.5 mm²;
- ✚ **Device tilting** -15° to + 15° ;
- ✚ **Insulating class** II ;
- ✚ **Protection grades** IP66;
- ✚ **Quality labels** All the components inside Giove are european certified CE ENEC, compliant to the EN61547:2009, EN61000-3-2:2014, EN61000-3-3:2013, EN62493:2010.
- ✚ **Assembling** Pole-top / with bracket
- ✚ **Size and weight Giove M:** 627x271x103; Max 6 kg
- ✚ **Size and weight Giove L:** 768x301x104; Max 7,4 kg
- ✚ **Colour:** Dark Gray, epoxy powder coating, RAL 7037
- ✚ **Packing size Giove M:** 670x310x155; Max 6.5 kg
- ✚ **Packing size Giove L:** 768x301x104; Max 7,4 kg
- ✚ **Possibility to put Nema Socket;**
- ✚ **Maintenance:** luminaire inspectable without tools;

MECHANICAL SPECIFICATIONS

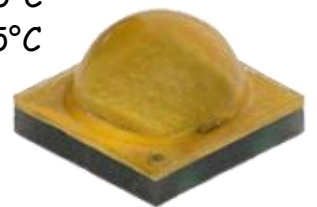
- + **Fastening system, Body and Upper shell** Coated die-casting aluminium;
- + **Screen** High transparency 4mm thick tempered glass;
- + **Mechanic resistancy** >IK 09;
- + **Heat dissipator** "V" shaped fins;
- + **Cabling** Double silicone cable and PG7 cable press;
- + **Compartments:** power unit compartment separated by optical compartment;
- + **Electric Automatic isolator;**

Lens

- + **Lens** CS12862_STRADA-IP-2X2-ME or similar;
- + **Lens diameter** 50x50 mm;
- + **Style** Square;
- + **Optic material** PMMA;
- + **ROHS Compatibility** Yes.

LED **CREE** ⇄

- + **LED Type** Cree XP-G3, S4;
- + **Color Temperature** 4000°K (other on demand) ;
- + **Color rendering** RA_≥70 (other on demand) ;
- + **Led XP-G3 serie S4 minimum efficiency @ 350mA** lm/W >186.6 @ 55°C
lm/W >193.7 @ 25°C
- + **Operating temperature** -50°C/+55°C ;
- + **Environnement temperature** -25°C/+50°C ;
- + **LED lifetime expectancy** >220000h LM-80 @ 55°C



ELECTRIC SPECIFICATIONS

OSRAM

INVENTRONICS

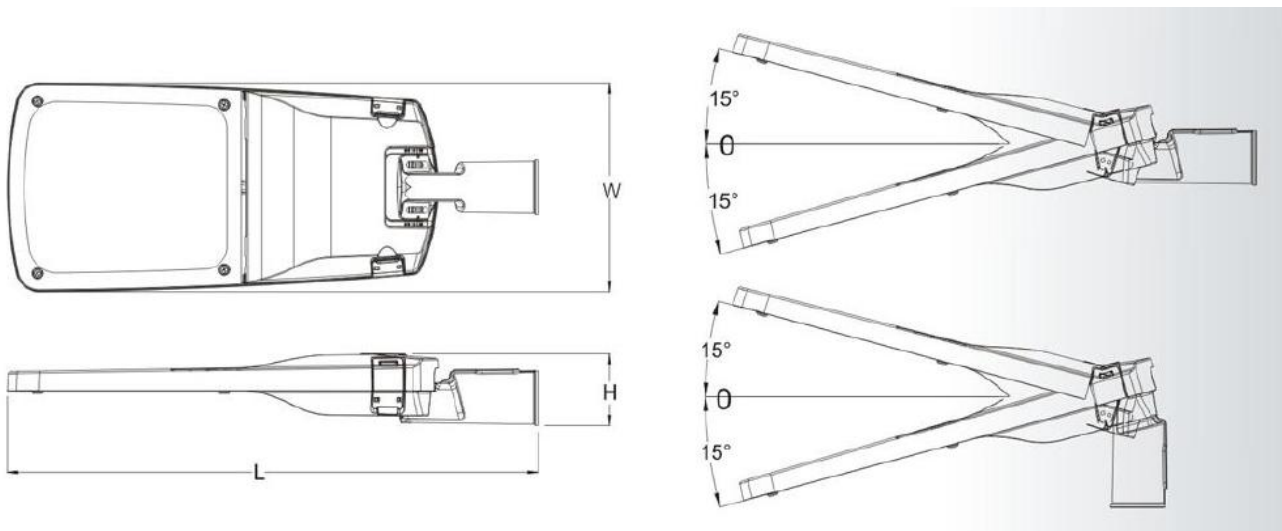
- + **Input:** 220/240V 50/60Hz;
- + **Power unit** Led Driver Dimmable in Class II, IP67/IP40, Inventronics or Osram or similar, with the same performance;
- + **Efficiency** Up to 95%;
- + **Protections** Against short-circuit, over voltage and over loads, 6kV line-line, 10kV line-earth;
- + **Power unit** Class II;
- + **Dimming/Smart** 1-10V, PWM, Resistance, Dali or Timer on request. Compartment able to host HW parts for Smart solutions;
- + **Cos Φ** > 0,95;
- + **Vessel** Plastic/alluminium;
- + **Power unit life expectancy** >120000h @Case Temperature 75°C;

Product	GIOVE_M 30W_12LED	GIOVE_M 40W_12 LED	GIOVE_M 40W_24LED	GIOVE_M 6080W_24LED	GIOVE_M 6080W_36LED
Gross Power	30W	40W	40W	60W..80W	60W...80W
Net Power	28,5W	38W	38W	57W..76W	57W..76W
Led Number	12	12	24	24	36
Nominal Luminous flux at the source, based on the driving current	>4712,76 lm	>5700 lm	>6460 lm	>8607lm... 11400 lm	>9690 lm ... 12540 lm

Product	GIOVE_L 90W_36LED	GIOVE_L 120W_36LED	GIOVE_L 120W_48LED	GIOVE_L 150W	GIOVE_L 180W
Gross Power	90W	120W	120W	150W	180W
Net Power	85.5W	114W	114W	142.5W	171W
Led Number	36	36	48	48	60
Nominal Luminous flux at the source, based on the driving current	>13338 lm	>17100 lm	>18240 lm	>21375 lm	>26676 lm

Technical drawing

Type	L [mm]	W [mm]	H [mm]
Giove_M	627	271	103
Giove_L	768	301	104



Photometric curve

